

■ 1 - MATERIALS

Differences of width (tolerances) may exist between the rolls..

■ 2 - UNROLLING OF THE MATERIAL

Minimum ambient temperature for laying : must be in accordance with the local standard.

- Mark longitudinal and transverse axis for reference to place strips.
- Unroll fully material following order of rolls in the venue according to picture.
- Check that the edge of strips are straight. Align the edge of the first strip to longitudinal axis to have a straight reference.

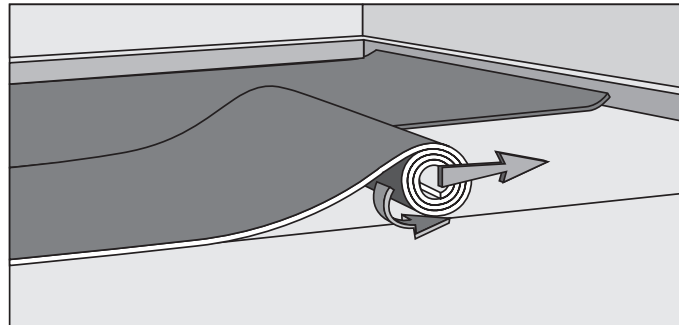
- Leave a gap of 1 cm between every strip to let possible full material acclimation in its length as in its width. If area is too small, it is possible to overlap fully two strips.

- Let material relax during 24h. Material will be in the best conditions to be glued and material tensile or bubbles will be mostly released.

CAUTION: the lengths should be unrolled starting in the centre of the sports hall.

■ 3 - POSITIONING THE FLOORING

Position the lengths in the direction of the longitudinal axis by leaving a 1 mm overlap between each length.

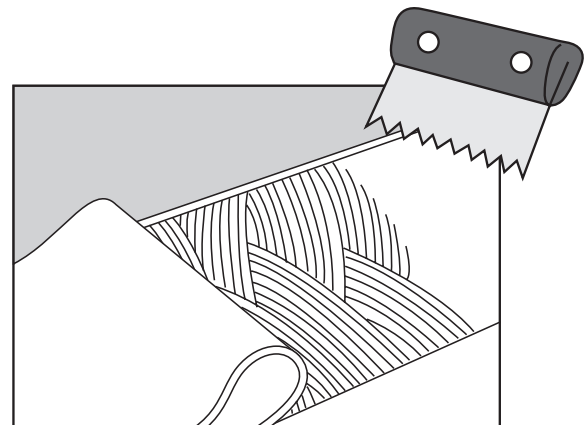


■ 4 - STICKING-DOWN

- Adhering the material can start 24 hours after the material acclimatisation period.
- The flooring should be adhered using an acrylic dispersion adhesive and applied with an A2 spatula (according to TKB standard) or 1/16» x 1/16» x 1/16» square notch (1.6 mm x 1.6 mm).
- Change the spatula regularly to insure the accurate coverage.
- Ensure that the adhesive is compatible with the subfloor and the material backing.
- Follow the adhesive manufacturers recommendations.

IMPORTANT:

- Forbid any trafficking for 48 hours after laying as well as any furniture movement.
- Follow carefully the recommendations of the adhesive manufacturer.



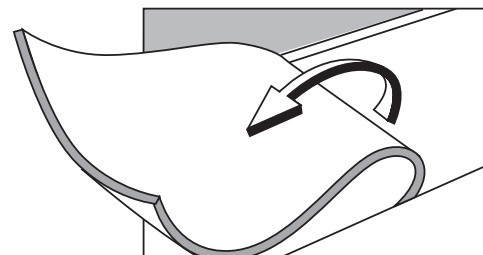
Recommendations for good adhesion:

Respect the waiting time (open time) which depends on the temperature, ambient hygrometry, porosity of the subfloor and the adhesive coverage. If the flooring is applied to adhesive with insufficient waiting time, it will bubble.

If the flooring is applied to adhesive which has gone past its open time, there will be insufficient adhesive transfer to the underside of the floor finish.

4.1 - Laying the lengths

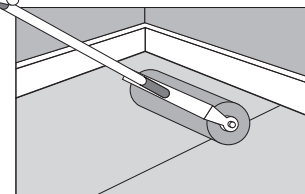
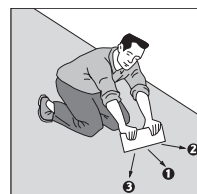
- To stick-down, fold the lengths back halfway (see diag) without pressure on the fold to avoid marks.
Start laying with the length halves in the centre of the hall located on each side of the first strike line.
- Fold back the second halves and proceed in the same way; then apply the following lengths edge-to-edge without leaving a gap and continue in the same way finishing up at walls.



4.2 - Rolling

It is essential and carried out in two stages:

- Manual rolling to position lengths.
- Final rolling of the whole surface with a flooring roller.



4.3 - Hot welding (12 hours after sticking-down)

4.3.1 - Chamfering

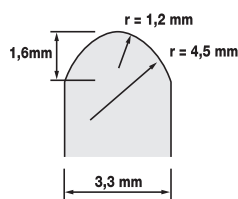
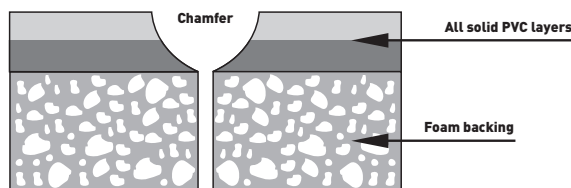
Chamfering allows the joint to be opened and corrected, to remove any traces of adhesive that may impair the quality of the weld.

There are two chamfering methods:

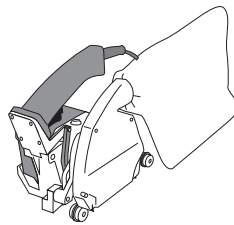
- Manual using an appropriate tool (triangle, rule),
- Mechanical using an electric chamfering machine fitted with a 3.3 to 3.5 mm tool.

The entire thickness of the wear layer must be chamfered, but not the foam underlay.

(Special case: For the TARAFLEX® SURFACE, chamfer the wear layer less 0.3 mm).



Profil of a circular saw blade

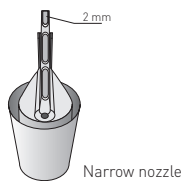


Groover or router

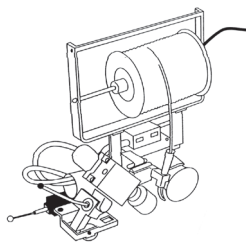
4.3.2 - Automatic welding

Welding is carried out using a LEISTER UNIVERSAL or UNI-FLOOR hot air welding machine with electronically controlled heating, fitted with a narrow multi-outlet nozzle designed for this purpose.

Nozzle codes: JANSER : 225 860 040
LEISTER : 105 407



Narrow nozzle

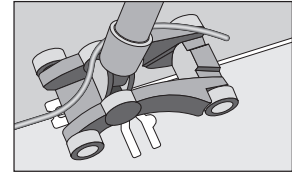
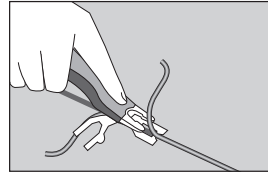


TOOLS	GERFLOR CODE
MOZART knife	0561 0001
Spare blades	0542 0001

4.3.3 - Trimming weld rod

- Using a MOZART knife: rotate the levelling guide to 90° on the side. Level the welding cord after it has cooled down.

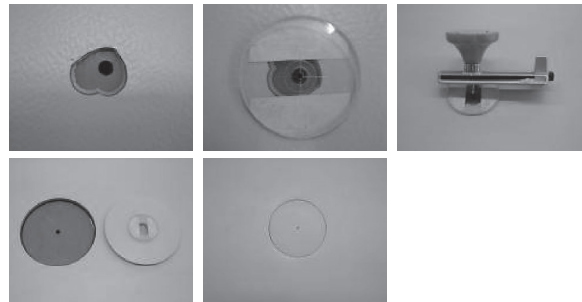
- With a joint plane: rotate the levelling guide to 90° on the side. Level the welding cord after it has cooled down. *Tool available with Janser or Romus.*



4.3.4 - Anchor points

There are accessories for a meticulous finish around the reserved allowances:

- Circular cutter equipped with a cutting centre finder. (Ref.: 262 262 500 - JANSER)



IMPORTANT: commissioning deadlines::

- For normal pedestrian traffic, commissioning takes place 24 hours at least after completion of the work.
- For the installation of sports equipment and the traffic of rolling loads it is necessary to wait 72 hours.
- It is necessary to distribute the static and dynamic loads when setting up in the table tennis table room folded or open, referee tables, or use of carts solid storage, removable basketball boards, approved equipment, elevating platforms, forklifts, utilities...

The raceways and distribution plates must be dimensioned and positioned according to the loads. See [803] STATIC AND DYNAMIC LOAD. Do not use furniture with rubber feet .

IMPORTANT: GERFLOR is at your entire disposal for any further information you might need concerning their floorings.